



eGauge Temperature Probe Sensor Specifications

Model: *ETN100*



Temperature Range

- 0 °C to 100 °C
- 32 °F to 212 °F

Features

- CTid auto-configure
- CTid locator LED
- Includes 7' RJ-11 cable for connection to Sensor Hub
- Accuracy: ± 0.1 °C typical / ± 0.5 °C worst case

Connections

- RJ-11 (on back) for communication and power from Sensor Hub

Enclosure

- Extruded aluminum
- 26 x 26 x 40 (mm)
- 1.02 x 1.02 x 1.57 (in.)
- Probe length: approx. 33"
- Probe dimensions: 30 x 6 (mm)
- Humidity range: Up to 80%

Warranty

- 2-year Limited Warranty

Requires

- eGauge Core/Pro (EG4xxx) meter
- eGauge Sensor Hub (ESH044)

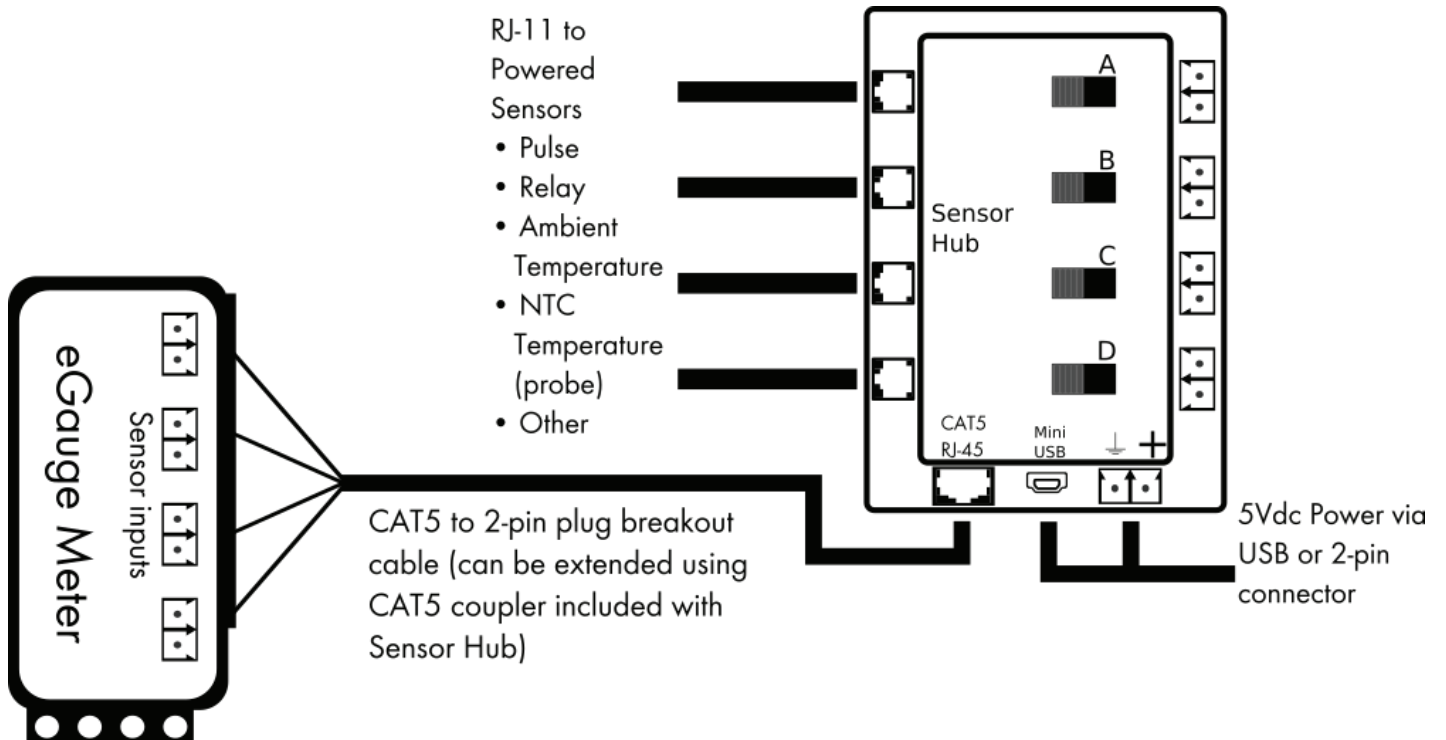
The eGauge Temperature Probe Sensor allows EG4xxx meters to log temperature data. The Temperature Probe Sensor is used for precision fluid temperature measurement (through thermowell) and precision ambient temperature measurement from 0 °C to 100 °C.

For ambient temperature monitoring, see the Ambient Temperature Sensor (ETLW). The temperature sensor requires the eGauge Sensor Hub (ESH044). Diagrams for the Sensor Hub and temperature sensor may be found on the following page.

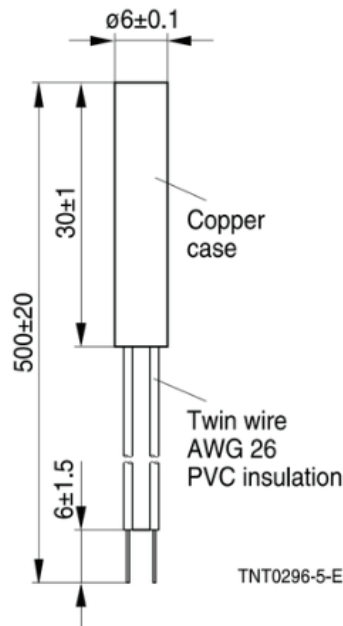
For more information visit
egauge.net/support/m/etn100



Sensor Hub Connection



Probe Dimensions



Dimensions in mm